

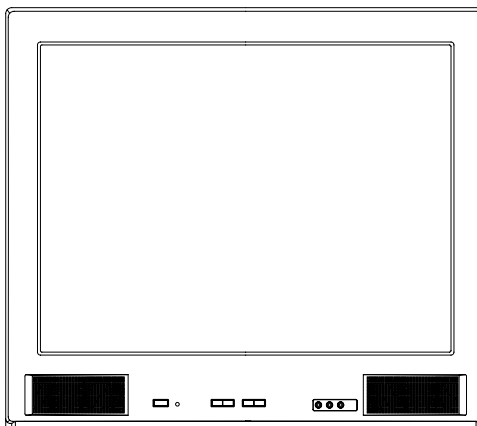
**Memorex®**

**MT2272**

# **SERVICE MANUAL**

---

**COLOR TELEVISION RECEIVER**



**SUPPLEMENT  
MFR'S VERSION A**

This SUPPLEMENT must be used together SERVICE MANUAL for MT2271S.  
All other test and repair procedures are as shown in the ORIGINAL MANUAL.  
Please file this SUPPLEMENT with the ORIGINAL VERSIONS.

## ELECTRICAL REPLACEMENT PARTS LIST

REF. NO.	MT2271S		MT2272	
	PART NO.	DESCRIPTION	PART NO.	DESCRIPTION
R001	R002T4272J	RC 2.7K OHM 1/4W		DEL
R002	R903N8101J	RC 100 OHM 1/8W		DEL
R004		_____	R903N8104J	RC 100K OHM 1/8W
R105	R903N8472J	RC 4.7K OHM 1/8W	R002T4332J	RC 3.3K OHM 1/4W
R106	R903N8472J	RC 4.7K OHM 1/8W	R002T4332J	RC 3.3K OHM 1/4W
R107	R001T6474J	RC 470K OHM 1/6W	R002T4473J	RC 47K OHM 1/4W
R117	R903N8473J	RC 47K OHM 1/8W		DEL
R118	R00106223J	RC 22K OHM 1/6W	R903N8681J	RC 680 OHM 1/8W
R125		_____	R903N8101J	RC 100 OHM 1/8W
R133		_____	R903N8101J	RC 100 OHM 1/8W
R134	R903N8471J	RC 470 OHM 1/8W	R903N8100J	RC 10 OHM 1/8W
R136		_____	R903N8103J	RC 10K OHM 1/8W
R137		_____	R002T4563J	RC 56K OHM 1/4W
R138		_____	R002T4472J	RC 4.7K OHM 1/4W
R143		_____	R903N8103J	RC 10K OHM 1/8W
R144		_____	R903N8102J	RC 1K OHM 1/8W
R145		_____	R903N8182J	RC 1.8K OHM 1/8W
R146		_____	R903N8103J	RC 10K OHM 1/8W
R403		_____	R903N8103J	RC 10K OHM 1/8W
R405	R001T6103J	RC 10K OHM 1/6W	R002T4102J	RC 1K OHM 1/4W
R410		_____	R002T2561J	RC 560 OHM 1/2W
R415	R3X181221J	R,METAL OXIDE 220 OHM 1W	R002T2561J	RC 560 OHM 1/2W
R421	R001T4184J	RC 180K OHM 1/4W	R002T2683J	RC 68K OHM 1/2W
R422	R002T2682J	RC 6.8K OHM 1/2W	R002T2822J	RC 8.2K OHM 1/2W
R428	R002T28R2J	RC 8.2 OHM 1/2W		DEL
△R429	R6558A1R8J	R,FUSE 1.8 OHM 2W	R6558A2R2J	R,FUSE 2.2 OHM 2W
R430		_____	R002T4682J	RC 6.8K OHM 1/4W
R431		_____	R002T4473J	RC 47K OHM 1/4W
R438		_____	R002T4103J	RC 10K OHM 1/4W
△R439		_____	R3X181680J	R,METAL OXIDE 68 OHM 1W
R440		_____	R002T4224J	RC 220K OHM 1/4W
R441		_____	R002T4273J	RC 27K OHM 1/4W
R443		_____	R002T4472J	RC 4.7K OHM 1/4W
R444		_____	R002T4223J	RC 22K OHM 1/4W
R445	R002T2104J	RC 100K OHM 1/2W	R002T4223J	RC 22K OHM 1/4W
R446	R002T2472J	RC 4.7K OHM 1/2W	R002T2471J	RC 470 OHM 1/2W
R447		_____	R002T4182J	RC 1.8K OHM 1/4W
△R450	R655U2101J	R,FUSE 100 OHM 1/2W	R002T2104J	RC 100K OHM 1/2W
R451	R002T4151J	RC 150 OHM 1/4W		DEL
R452	R002T4181J	RC 180 OHM 1/4W		DEL
R454		_____	R002T2222J	RC 2.2K OHM 1/2W
R455		_____	R002T4272J	RC 2.7K OHM 1/4W
R456		_____	R002T4153J	RC 15K OHM 1/4W
△R457		_____	R635U2100J	R,FUSE 10 OHM 1/2W

## ELECTRICAL REPLACEMENT PARTS LIST

REF. NO.	MT2271S		MT2272		
	PART NO.	DESCRIPTION	PART NO.	DESCRIPTION	
R458		_____	R002T2152J	RC	1.5K OHM 1/2W
R459		_____	R002T2821J	RC	820 OHM 1/2W
R460		_____	R002T4102J	RC	1K OHM 1/4W
△R461		_____	R65581010J	R,FUSE	1 OHM 1W
△R501	R5X2AE3R3J	R,CEMENT 3.3 OHM 7W	R5X2AE1R2J	R,CEMENT	1.2 OHM 7W
△R503	R002T4225J	RC 2.2M OHM 1/4W	R002T4125J	RC	1.2M OHM 1/4W
R504	R002T2155J	RC 1.5M OHM 1/2W	R002T2103J	RC	10K OHM 1/2W
R505		_____	R903N8103J	RC	10K OHM 1/8W
△R506	R002T4222J	RC 2.2K OHM 1/4W			DEL
R507	R001T6102J	RC 1K OHM 1/6W	R002T4151J	RC	150 OHM 1/4W
R508		_____	R002T4101J	RC	100 OHM 1/4W
R509	R002T4223J	RC 22K OHM 1/4W			DEL
R511		_____	R002T4125J	RC	1.2M OHM 1/4W
R512		_____	R002T4271J	RC	270 OHM 1/4W
R513		_____	R002T2102J	RC	1K OHM 1/2W
△R514	R002T4562J	RC 5.6K OHM 1/4W	R002T4682J	RC	6.8K OHM 1/4W
R516		_____	R002T4101J	RC	100 OHM 1/4W
△R520		_____	R002T2155J	RC	1.5M OHM 1/2W
△R521		_____	R3X28A151J	R,METAL OXIDE	150 OHM 2W
R533	R903N8221J	RC 220 OHM 1/8W	R903N8102J	RC	1K OHM 1/8W
R535		_____	R002T2683J	RC	68K OHM 1/2W
R536		_____	R002T2683J	RC	68K OHM 1/2W
△R543	R3X181221J	R,METAL OXIDE 220 OHM 1W	R3X28A331J	R,METAL OXIDE	330 OHM 2W
R547		_____	R002T4101J	RC	100 OHM 1/4W
R554	R002T4124J	RC 120K OHM 1/4W	R002T4682J	RC	6.8K OHM 1/4W
R555		_____	R002T4104J	RC	100K OHM 1/4W
R601	R903N8152J	RC 1.5K OHM 1/8W	R903N8102J	RC	1K OHM 1/8W
R609	R903N8471J	RC 470 OHM 1/8W	R903N8221J	RC	220 OHM 1/8W
R610		_____	R002T4273J	RC	27K OHM 1/4W
R613	R002T4101J	RC 100 OHM 1/4W	R002T4391J	RC	390 OHM 1/4W
R617	R002T4221J	RC 220 OHM 1/4W	R002T4331J	RC	330 OHM 1/4W
R620		_____	R903N8124J	RC	120K OHM 1/8W
R622	R903N8121J	RC 120 OHM 1/8W	R903N8271J	RC	270 OHM 1/8W
R623	R001T6102J	RC 1K OHM 1/6W	R002T4182J	RC	1.8K OHM 1/4W
R624	R002T4470J	RC 47 OHM 1/4W			DEL
△R629	R3X18A180J	R,METAL OXIDE 18 OHM 2W	R3X28B270J	R,METAL OXIDE	27 OHM 3W
R632	R002T2560J	RC 56 OHM 1/2W	R002T2151J	RC	150 OHM 1/2W
R639	R903N8101J	RC 100 OHM 1/8W	R903N8152J	RC	1.5K OHM 1/8W
R643		_____	R903N8821J	RC	820 OHM 1/8W
R645	R001T6100J	RC 10 OHM 1/6W			DEL
R650		_____	R903N8102J	RC	1K OHM 1/8W
R707		_____	R903N8222J	RC	2.2K OHM 1/8W
R708	R903N8750J	RC 75 OHM 1/8W	R903N8680J	RC	68 OHM 1/8W
R710	R903N8102J	RC 1K OHM 1/8W	R903N8152J	RC	1.5K OHM 1/8W

## ELECTRICAL REPLACEMENT PARTS LIST

REF. NO.	MT2271S		MT2272		
	PART NO.	DESCRIPTION	PART NO.	DESCRIPTION	
R715		_____	R903N8472J	RC	4.7K OHM 1/8W
R716	R903N8102J	RC 1K OHM 1/8W			DEL
R725	R903N8182J	RC 1.8K OHM 1/8W	R903N8222J	RC	2.2K OHM 1/8W
R726	R903N8222J	RC 2.2K OHM 1/8W	R903N8182J	RC	1.8K OHM 1/8W
R740		_____	R903N8680J	RC	68 OHM 1/8W
R743	R00106750J	RC 75 OHM 1/6W			DEL
R744	R903N8683J	RC 68K OHM 1/8W			DEL
R745	R903N8683J	RC 68K OHM 1/8W			DEL
R760	R002T4102J	RC 1K OHM 1/4W	R002T4391J	RC	390 OHM 1/4W
R809	R903N8472J	RC 4.7K OHM 1/8W	R903N8272J	RC	2.7K OHM 1/8W
R811	R903N8472J	RC 4.7K OHM 1/8W	R903N8272J	RC	2.7K OHM 1/8W
R813	R903N8391J	RC 390 OHM 1/8W	R903N8271J	RC	270 OHM 1/8W
R814	R903N8472J	RC 4.7K OHM 1/8W	R903N8272J	RC	2.7K OHM 1/8W
R815	R903N8391J	RC 390 OHM 1/8W	R903N8271J	RC	270 OHM 1/8W
R816	R903N8391J	RC 390 OHM 1/8W	R903N8271J	RC	270 OHM 1/8W
R901	R903N8222J	RC 2.2K OHM 1/8W	R002T4221J	RC	220 OHM 1/4W
R902	R903N8222J	RC 2.2K OHM 1/8W	R002T4221J	RC	220 OHM 1/4W
R904	R001T6475J	RC 4.7M OHM 1/6W	R002T4685J	RC	6.8M OHM 1/4W
R905		_____	R903N8563J	RC	56K OHM 1/8W
R907		_____	R903N8393J	RC	39K OHM 1/8W
R908		_____	R903N8563J	RC	56K OHM 1/8W
R909		_____	R903N8393J	RC	39K OHM 1/8W
R1001	R903N8124J	RC 120K OHM 1/8W			DEL
R1003		_____	R002T4103J	RC	10K OHM 1/4W
R1006	R903N8272J	RC 2.7K OHM 1/8W	R903N8182J	RC	1.8K OHM 1/8W
R1008	R903N8272J	RC 2.7K OHM 1/8W	R002T4182J	RC	1.8K OHM 1/4W
R1010	R001T6561J	RC 560 OHM 1/6W			DEL
R1011	R903N8182J	RC 1.8K OHM 1/8W			DEL
R1014	R903N8153J	RC 15K OHM 1/8W	R903N8332J	RC	3.3K OHM 1/8W
R1015	R903N8153J	RC 15K OHM 1/8W	R903N8332J	RC	3.3K OHM 1/8W
R1508	R903N8102J	RC 1K OHM 1/8W			DEL
R1510	R001T6102J	RC 1K OHM 1/6W			DEL
R1512		_____	R903N8102J	RC	1K OHM 1/8W
R1513	R903N8681J	RC 680 OHM 1/8W			DEL
R1518	R001T6392J	RC 3.9K OHM 1/6W	R903N8561J	RC	560 OHM 1/8W
R1519	R001T6392J	RC 3.9K OHM 1/6W	R903N8561J	RC	560 OHM 1/8W
R1521		_____	R903N8821J	RC	820 OHM 1/8W
R1523		_____	R903N8102J	RC	1K OHM 1/8W
R1524		_____	R002T4102J	RC	1K OHM 1/4W
C004	C0JTF04H4Z	CC 0.022 UF 50V F			DEL
C007		_____	CQGTB0415K	CC	0.1 UF 50V B
C106		_____	CS0KSL412K	CC	100 PF 50V SL
C107	CS0KB04H2K	CC 220 PF 50V B	CS0KSL4S1K	CC	56 PF 50V SL
C108	CS0KB04H2K	CC 220 PF 50V B	CS0KSL4S1K	CC	56 PF 50V SL

## ELECTRICAL REPLACEMENT PARTS LIST

REF. NO.	MT2271S		MT2272		
	PART NO.	DESCRIPTION	PART NO.	DESCRIPTION	
C109		_____	CS0KSL412K	CC	100 PF 50V SL
C110		_____	CS0KSL412K	CC	100 PF 50V SL
C112		_____	E50HU2100M	CE	10 UF 16V
C119		_____	CQGTF0415Z	CC	0.1 UF 50V F
C124	CQGTF0415Z	CC 0.1 UF 50V F	CQGTF0416Z	CC	1 UF 50V F
C138	CQGTCH4S2J	CC 560 PF 50V CH			DEL
C301	E02LU1471M	CE 470 UF 10V	E02LU2470M	CE	47 UF 16V
C327		_____	CQGTF0415Z	CC	0.1 UF 50V F
C328	E02LT2470M	CE 47 UF 16V	E02LU1221M	CE	220 UF 10V
C329	E50HU52R2M	CE 2.2 UF 50V			DEL
C330	E02LU52R2M	CE 2.2 UF 50V			DEL
C331	E02LU2470M	CE 47 UF 16V	E02LU2221M	CE	220 UF 16V
C401	C0JTB05H2K	CC 220 PF 500V B	C0JTSL5U1J	CC	68 PF 500V SL
C416	P3N1F2333J	CPP 0.033 UF 200V			DEL
C420		_____	C0JTB05H3K	CC	0.0022UF 500V B
△C433	E02LT4471M	CE 470 UF 35V	E0ELF4222M	CE	2200 UF 35V
C436		_____	P6M9T0334J	CMPL	0.33 UF 50V TF
△C437	P447F2474J	CMPP 0.47 UF 200V FHS	P6M9T0683J	CMPL	0.068 UF 50V TF
C439	C0JTSL5H1J	CC 22 PF 500V SL	E02LU5470M	CE	47 UF 50V
C440	C0JTB05H3K	CC 0.0022UF 500V B	P235W1103J	CMP	0.01 UF 100V MKT
C441		_____	E50HU5R47M	CE	0.47 UF 50V
C442		_____	E53FF56R8M	CE	6.8 UF 50V NP
C443	P4N8FJ123H	CMPP 0.012 UF 1.25KV			DEL
C444		_____	E02LU2470M	CE	47 UF 16V
C446	E02LT5010M	CE 1 UF 50V	E02LU5220M	CE	22 UF 50V
C449		_____	P4J7F3394J	CMPP	0.39 UF 250V PMS
C451		_____	P3N1F5273J	CPP	0.027 UF 630V
△C452		_____	P4N8FJ153H	CMPP	0.015 UF 1.25KV
△C453		_____	P4N8FJ391J	CMPP	390 PF 1.25KV
C455		_____	C0JTB0512K	CC	100 PF 500V B
C456		_____	P6M9T0223J	CMPL	0.022 UF 50V TF
△C504	E02LT5470M	CE 47 UF 50V	CQGTF0414Z	CC	0.01 UF 50V F
△C505	P2472B104M	CMP 0.1 UF 275V PHE840	P2472B224M	CMP	0.22UF 275V PHE840
C511	E02LU5010M	CE 1 UF 50V	E02LU3470M	CE	47 UF 25V
C512	P1S3T0822J	CP 0.0082UF 50V	P235W1103J	CMP	0.01 UF 100V MKT
C513	P1S300104J	CP 0.1 UF 50V	E50HU5010M	CE	1 UF 50V
C514	C0PLRR7U2K	CC 680 PF 2KV RR	C03L0R713K	CC	0.001 UF 2KV R
C515		_____	CQGTB0415K	CC	0.1 UF 50V B
C516		_____	C0JTB05H3K	CC	0.0022UF 500V B
C517	C0PLRR713K	CC 0.001 UF 2KV RR	C03L0R7U2K	CC	680 PF 2KV R
C518	CB3730M13M	CC 0.001 UF 250V	C0JTB05Q2K	CC	470 PF 500V B
C519	C0PLRR713K	CC 0.001 UF 2KV RR			DEL
C520		_____	C0JTB0413K	CC	0.001 UF 50V B
C527		_____	E5EZF2222M	CE	2200 UF 16V

## ELECTRICAL REPLACEMENT PARTS LIST

REF. NO.	MT2271S		MT2272		
	PART NO.	DESCRIPTION	PART NO.	DESCRIPTION	
△C528		_____	CC3LE0MH3M	CC	0.0022UF 250V
△C530	CC3LE0MH3M	CC 0 0.0022UF 250V	CC3LE0M13M	CC	0.001 UF 250V
△C531	E02LT2102M	CE 1000 UF 16V			DEL
△C533	CC3LE0MH3M	CC 0 0.0022UF 250V	CC3LE0M13M	CC	0 0.001 UF 250V
C561	CS0KW04U2M	CC 680 PF 50V W			DEL
C606	CS0KF0214Z	CC 0.01 UF 16V F	CS0KY0313M	CC	0.001 UF 25V Y
C610		_____	E02LU0101M	CE	100 UF 6.3V
C614		_____	CS0KB04H2K	CC	220 PF 50V B
C619	E50HU2100M	CE 10 UF 16V	E02LU2470M	CE	47 UF 16V
C623	CS0KSL412K	CC 100 PF 50V SL	CS0KSL4N1J	CC	39 PF 50V SL
C629	CQGTCH412J	CC 100 PF 50V CH			DEL
C631		_____	E50HU5010M	CE	1 UF 50V
C632	E02LU50R1M	CE 0.1 UF 50V	E50HU5010M	CE	1 UF 50V
C638	E50HU2330M	CE 33 UF 16 V	E00NU2100M	CE	10 UF 16 V
C644		_____	E02LT2471M	CE	470 UF 16V
C648		_____	CQGTF0415Z	CC	0.1 UF 50V F
C649	E50HU52R2M	CE 2.2 UF 50V			DEL
C650		_____	CS0KB04H2K	CC	220 PF 50V B
C652	E50HU5R22M	CE 0.22 UF 50 V	E50HU54R7M	CE	4.7 UF 50V
C705	E50HU54R7M	CE 4.7 UF 50V	E50HU5010M	CE	1 UF 50V
C707		_____	CQGTF0415Z	CC	0.1 UF 50V F
C720		_____	E02LU2470M	CE	47 UF 16V
C722		_____	CQGTB0415K	CC	0.1 UF 50V B
C725		_____	CQGTF0415Z	CC	0.1 UF 50V F
C727	CS0KF0214Z	CC 0.01 UF 16V F	E50HU50R1M	CE	0.1 UF 50 V
C809	CS0KB04N2K	CC 390 PF 50V B	CS0KW04S2M	CC	560 PF 50V W
C810	CS0KB04N2K	CC 390 PF 50V B	CS0KW04S2M	CC	560 PF 50V W
C811	CS0KB04N2K	CC 390 PF 50V B	CS0KW04S2M	CC	560 PF 50V W
C901		_____	E50HU5010M	CE	1 UF 50V
C902		_____	E50HU5010M	CE	1 UF 50V
C910	E02LU2470M	CE 47 UF 16V	E02LU2221M	CE	220 UF 16V
C912	CQGTB04Q4K	CC 0.047 UF 50V B	CQGTB04S4K	CC	0.056 UF 50V B
C1001	CQGTB0415K	CC 0.1 UF 50V B	E50HU52R2M	CE	2.2 UF 50V
C1003	CQGTB0415K	CC 0.1 UF 50V B	E50HU52R2M	CE	2.2 UF 50V
C1005	E02LU1101M	CE 100 UF 10V			DEL
C1006	E02LU54R7M	CE 4.7 UF 50V			DEL
C1007	E02LT2102M	CE 1000 UF 16V	E0ELF4222M	CE	2200 UF 35V
C1009	E50HU0470M	CE 47 UF 6.3V	E50HU2100M	CE	10 UF 16V
C1010	P6M9T0105J	1 UF 50V TF			DEL
C1011		_____	E02LF3102M	CE	1000 UF 25V
C1013		_____	E02LU3101M	CE	100 UF 25V
C1014		_____	E02LU2470M	CE	47 UF 16V
C1505	E02LT5010M	CE 1 UF 50V	E50HU54R7M	CE	4.7 UF 50V
C1520		_____	CS0KSL4S1K	CC	56 PF 50V SL

## ELECTRICAL REPLACEMENT PARTS LIST

REF. NO.	MT2271S		MT2272	
	PART NO.	DESCRIPTION	PART NO.	DESCRIPTION
C1524	CS0KF0214Z	CC 0.01 UF 16V F	E50HU2100M	CE 10 UF 16V
C1528	CS0KB04H2K	CC 220 PF 50V B		DEL
D101		_____	D1VT001330	DIODE,SILICON 1SS133T-77
D102		_____	D1VT001330	DIODE,SILICON 1SS133T-77
D104		_____	D97U06R81B	DIODE,ZENER MTZJ6.8B T-77
△D405	D97U06R21B	DIODE,ZENER MTZJ6.2B T-77	D97U09R11B	DIODE,ZENER MTZJ9.1B T-77
D406		_____	D1VT001330	DIODE,SILICON 1SS133T-77
D409	D1VT001330	DIODE,SILICON 1SS133T-77		DEL
D413	D2WT011E10	DIODE SILICON 11E1-EIC		DEL
D414	D97U01201B	DIODE,ZENER MTZJ12B T-77	D2LTP10JE0	DIODE,RECTIFIER RGP10JE-G3
D415		_____	D2LTP10JE0	DIODE,RECTIFIER RGP10JE-G3
D417		_____	D1VT001330	DIODE,SILICON 1SS133T-77
D418		_____	D97U03001B	DIODE,ZENER MTZJ30B T-77
D419		_____	D97U03001B	DIODE,ZENER MTZJ30B T-77
D451		_____	D2BFRU4AM0	DIODE,SILICON RU-4AM
D452		_____	D2BFRS4FS0	DIODE,SILICON RS-4FS
D505	D2WXB290S0	DIODE SILICON SB290S	D28F30DF60	DIODE RECTIFIER 30DF6-FC
△D506	D97U02401B	DIODE,ZENER MTZJ24B T-77	D97U01801B	DIODE,ZENER MTZJ18B T-77
D507	D1VT001330	DIODE,SILICON 1SS133T-77	D2WT011E10	DIODE SILICON 11E1-EIC
D508		_____	D1VT001330	DIODE,SILICON 1SS133T-77
△D510	D2WXRU2AM0	DIODE SILICON RU2AM-EIC	D2BFRU4AM0	DIODE,SILICON RU-4AM
D511		_____	D97U01201B	DIODE,ZENER MTZJ12B T-77
D512		_____	D2WXB290S0	DIODE SILICON SB290S
△D514	D2WXS1400	DIODE SCHOTTKY SB140-EIC	D1VT001330	DIODE,SILICON 1SS133T-77
D517		_____	D1VT001330	DIODE,SILICON 1SS133T-77
△D518	D2WTAU02A0	DIODE SILICON AU02A-EIC	D1VT001330	DIODE,SILICON 1SS133T-77
D519	D2WXB290S0	DIODE SILICON SB290S		DEL
D520	D1VT001330	DIODE,SILICON 1SS133T-77		DEL
D523	D1VT001330	DIODE,SILICON 1SS133T-77	D2WXN49370	DIODE SILICON 1N4937
D525		_____	D97U08R21B	DIODE,ZENER MTZJ8.2B T-77
D607		_____	D97U01501B	DIODE,ZENER MTZJ15B T-77
D706	D97U06R81B	DIODE,ZENER MTZJ6.8B T-77		DEL
D709	D97U06R81B	DIODE,ZENER MTZJ6.8B T-77		DEL
IC199	A3L519H015	IC S-24C02BDP-1A	A3L529M015	IC S-24C08ADPA-01
IC302	I06DF62420	IC M62420SP	I06F062420	IC M62420FP
IC402	I0QT98L050	IC NJM78L05A(T3)	I1KJ98L090	IC KIA78L09BP-AT
△IC1001	I03SP46000	IC LA4600	I0FSP52760	IC AN5276
Q101		_____	TNATA03002	COMPOUND TRANSISTOR KRC101MAT
Q102		_____	TAATA12660	TRANSISTOR,SILICON KTA1266-AT(Y,GR)
Q103		_____	TCATC31980	TRANSISTOR,SILICON KTC3198-AT(Y,GR)
△Q402	TCAT032070	TRANSISTOR SILICON KTC3207-AT	TCAT03227Y	TRANSISTOR SILICON KTC3227_Y-AT
Q405	TCATC31980	TRANSISTOR,SILICON KTC3198-AT(Y,GR)	TCATC3199Y	TRANSISTOR SILICON KTC3199_Y-AT
Q406		_____	TCATC31980	TRANSISTOR,SILICON KTC3198-AT(Y,GR)
Q407		_____	TCATC31980	TRANSISTOR,SILICON KTC3198-AT(Y,GR)

## ELECTRICAL REPLACEMENT PARTS LIST

REF. NO.	MT2271S		MT2272	
	PART NO.	DESCRIPTION	PART NO.	DESCRIPTION
Q408		_____	TAATA12660	TRANSISTOR,SILICON KTA1266-AT(Y,GR)
Q409		_____	TC30041590	TRANSISTOR,SILICON 2SC4159(D,E)
Q604	TCAT032034	TRANSISTOR, SILICON KTC3203_Y-AT	TCAT03209Y	TRANSISTOR SILICON KTC3209_Y-AT
Q605	TCAT032034	TRANSISTOR, SILICON KTC3203_Y-AT	TCAT03209Y	TRANSISTOR SILICON KTC3209_Y-AT
Q606	TCAT032034	TRANSISTOR, SILICON KTC3203_Y-AT	TCAT03209Y	TRANSISTOR SILICON KTC3209_Y-AT
Q608	TCAT032034	TRANSISTOR, SILICON KTC3203_Y-AT	TCAT03209Y	TRANSISTOR SILICON KTC3209_Y-AT
Q703		_____	TCATC31980	TRANSISTOR,SILICON KTC3198-AT(Y,GR)
Q901	TAST007330	TRANSISTOR,SILICON 2SA733(C)-T(P,Q)	TAATA12660	TRANSISTOR,SILICON KTA1266-AT(Y,GR)
Q902	TAST007330	TRANSISTOR,SILICON 2SA733(C)-T(P,Q)	TAATA12660	TRANSISTOR,SILICON KTA1266-AT(Y,GR)
Q1001	TCATC31980	TRANSISTOR,SILICON KTC3198-AT(Y,GR)		DEL
L401	022100027A	COIL,LINEARITY ELH5L4113	022100034A	COIL,LINEARITY ELH5L4132N
L402		_____	02A6A8A0A1	CORE,FERRITE HF57T18.5x10x10
L403		_____	02DK000058	COIL CHOKE 02DK000058
L406	021U6D180K	COIL 18 UH		DEL
△L501	029L000103	COIL,LINE FILTER VRKET24-W074	029T000101	COIL,LINE FILTER 2R2A752F28Y
△L503	028R270009	COIL,DEGAUSS 8R270009	028R270010	COIL,DEGAUSS 8R270010
L601		_____	021LA61R0M	COIL 1 UH
L602		_____	02167F101J	COIL 100 UH
L603		_____	02167F101J	COIL 100 UH
L606		_____	021LA62R2K	COIL 2.2 UH
L607	021LA6150K	COIL 15 UH	021LA6120K	COIL 12 UH
L608		_____	021LA66R8K	COIL 6.8 UH
L701		_____	021LA6270K	COIL 27 UH
L901		_____	02167D101K	COIL 100 UH
T401	045013002J	TRANS,HORIZONTAL DRIVE ETH14Y46AY	0450190161	TRANS,HORIZONTAL DRIVE ETH19Y203AY
△T501	048135075S	TRANSFORMER,SWITCHING 8135075S	048140066S	TRANSFORMER,SWITCHING 8140066S
J702	0602431013	RCA JACK JPJ1187-010010		DEL
J710		_____	060G401047	RCA JACK HTJ-032-03AY
J711		_____	060G401046	RCA JACK HTJ-032-03AW
J712		_____	060G401039	RCA JACK HTJ-032-03AR
J801	066F130020	SOCKET,CATHODE RAY,TUBE ISHS53S	066C130015	SOCKET,CATHODE RAY TUBE CVT3275-5102
VR403		_____	V1163H4BTC	VOLUME,SEMI FIXED EVNCYAA03BE4
VR404		_____	V1163H4BTC	VOLUME,SEMI FIXED EVNCYAA03BE4
VR502	V116313BTC	VOLUME,SEMI FIXED EVNCYAA03B13	V1163H4BTC	VOLUME,SEMI FIXED EVNCYAA03BE4
B502	024HT03553	CORE,BEADS W5RH3.5X5X1.0		DEL
B503	024HT03553	CORE,BEADS W5RH3.5X5X1.0		DEL
B1002	024HT03553	CORE,BEADS W5RH3.5X5X1.0		DEL
△CD501	1207415905	CORD AC BUSH 07415905	120R415907	CORD AC BUSH 0R415907
CD701	06CU243501	CORD CONNECTOR CU243501		DEL
CD801	06CU823001	CORD CONNECTOR CU823001	06CU822501	CORD CONNECTOR CU822501
△CD804	06CU344001	CORD CONNECTOR SM1198-002-1B		DEL
CD807	06CH012102	CORD CONNECTOR CH012102		DEL
CF602		_____	1012T04702	FILTER,CERAMIC TRAP MKT47.3MC110P-TF
△CP401	069S340010	CONNECTOR PCB SIDE A2361WV2-4P	069X460029	CONNECTOR PCB SIDE B06B-DVS



## ELECTRICAL REPLACEMENT PARTS LIST

REF. NO.	MT2271S		MT2272	
	PART NO.	DESCRIPTION	PART NO.	DESCRIPTION
CP701A	067U004029	WIRE HOLDER B2013H02-4P		DEL
CP701B	069S240629	CONNECTOR PCB SIDE A2001WV2-4P		DEL
CP802A	067U010049	WIRE HOLDER B2013H02-10P	067U005049	WIRE HOLDER B2013H02-5P
CP802B	067U010049	WIRE HOLDER B2013H02-10P	067U005049	WIRE HOLDER B2013H02-5P
CP803A		_____	067U006049	WIRE HOLDER B2013H02-6P
CP803B		_____	067U006049	WIRE HOLDER B2013H02-6P
CP806	069W010010	CONNECTOR PCB SIDE 005P-2100		DEL
△FB401	043225010F	TRANSFORMER,FLYBACK 3225010F	043227010F	TRANSFORMER,FLYBACK 3227010F
OS101	077Q037003	REMOTE RECEIVER PIC-37143SY	0773071001	REMOTE RECEIVER RPM7138-H5
△SP1001	070Y435001	SPEAKER S0509F12	070Y435005	SPEAKER S0509F12-D
TP501	069D01001A	CONNECTOR PCB SIDE 003P-2100		DEL
△V801	0984270706	CRT W/DY A68ADT25X01	0981270B01	CRT W/DY M68LWF088X
TM101	076N0DW040	TRANSMITTER RC-DW040	076D0FM010	TRANSMITTER ORV201N38020
PCB010	A3L519G010K	TV MAIN PCB ASS'Y TMA529A	A3L539M010K	TV MAIN PCB ASS'Y TMA544A
PCB110	A3L504G110K	CRT PCB ASS'Y TCA338A	A3L532M110K	CRT PCB ASS'Y TCB403A
PCB250	A3L504G250K	AV PCB ASS'Y TEAA90A		DEL

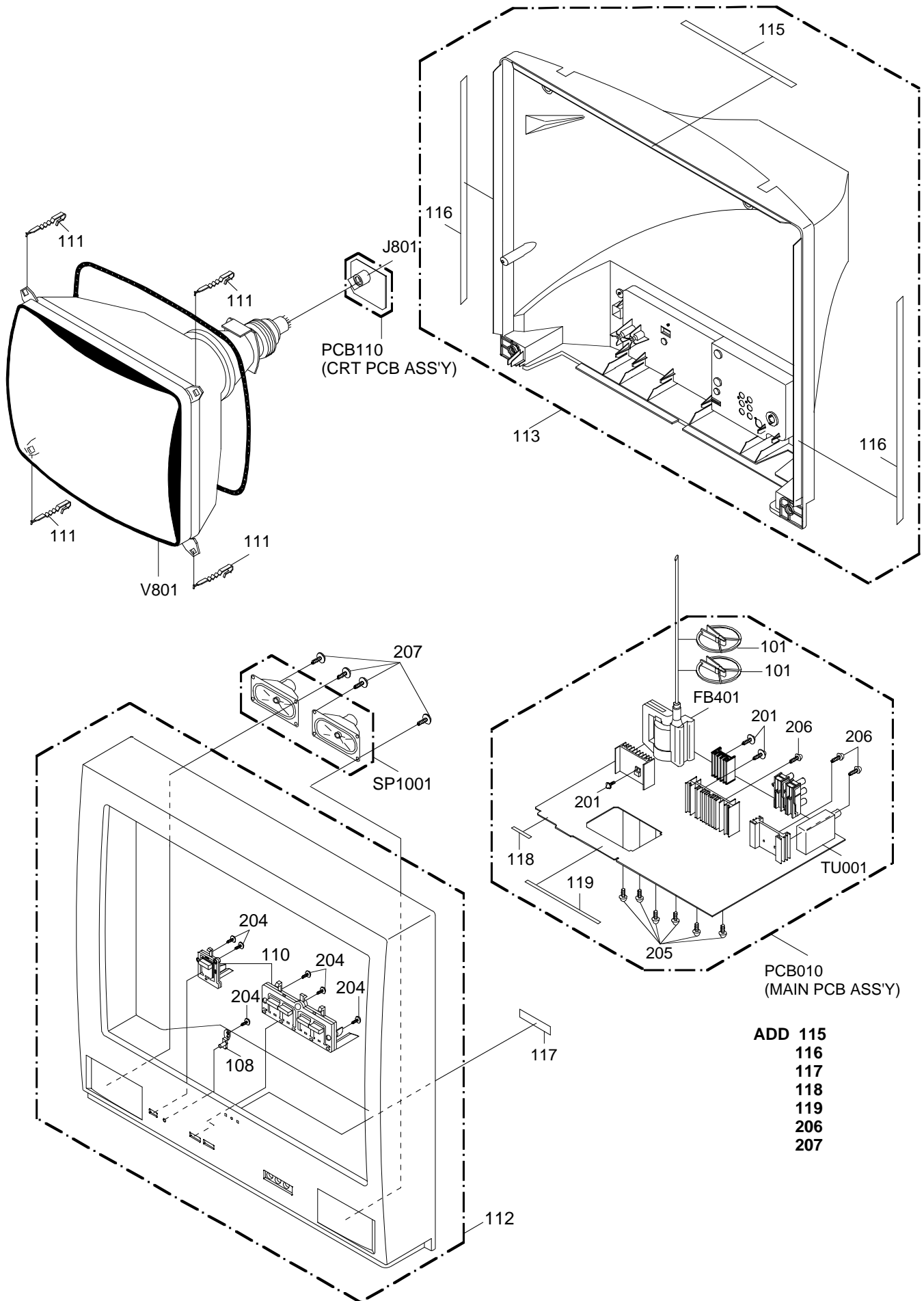
## MECHANICAL REPLACEMENT PARTS LIST

REF. NO.	MT2271S		MT2272	
	PART NO.	DESCRIPTION	PART NO.	DESCRIPTION
102	701APJA106	CABINET,FRONT	701APJA116	CABINET,FRONT
103	702APAA005	CABINET,BACK	702APA0145	CABINET,BACK(1/5)
105	722A08A114	SHEET,RATING	722A08A135	SHEET,RATING
106	723000B550	FILM,DECORATION	723000C073	FILM,DECORATION
108	713WPA0098	GUIDE,REMOCON	713WPA0239	GUIDE,REMOCON
110	735WPA0565	BUTTON,ASS'Y	735WPAA484	BUTTON,ASS'Y
112	8995034000	CORD CLIP UL CO.	A3L539M720	CABINET FRONT ASS'Y
113	800WB0A009	FIBER WASHER	A3L539M740	CABINET,BACK ASS'Y
115		_____	800WQ00066	FELT,SHEET
116		_____	800WQ00068	FELT,SHEET
117		_____	800WQ00056	FELT,SHEET
118		_____	800WQ0A013	FELT,SHEET
119		_____	800WQ00045	FELT SHEET
206		_____	8107630804	SCREW,TAP TITE(S) BRAZIER 3x8
207		_____	8110630A24	SCREW,TAP TITE(P) BRAZIER 3x12
---	793ACDA155	GIFT BOX	793ACDA163	GIFT BOX
---	J3L40901	INSTRUCTION BOOK	J3L53901A	INSTRUCTION BOOK
---	792AHA0077	PACKAGE, TOP	792AHA0092	PACKAGE, TOP
---	792AHA0078	PACKAGE, BOTTOM	792AHA0093	PACKAGE, BOTTOM
---	A3L409I975	INSTRUCTION BOOK KIT	A3L539M975	INSTRUCTION BOOK KIT

## WHEN REPLACING EEPROM (MEMORY) IC

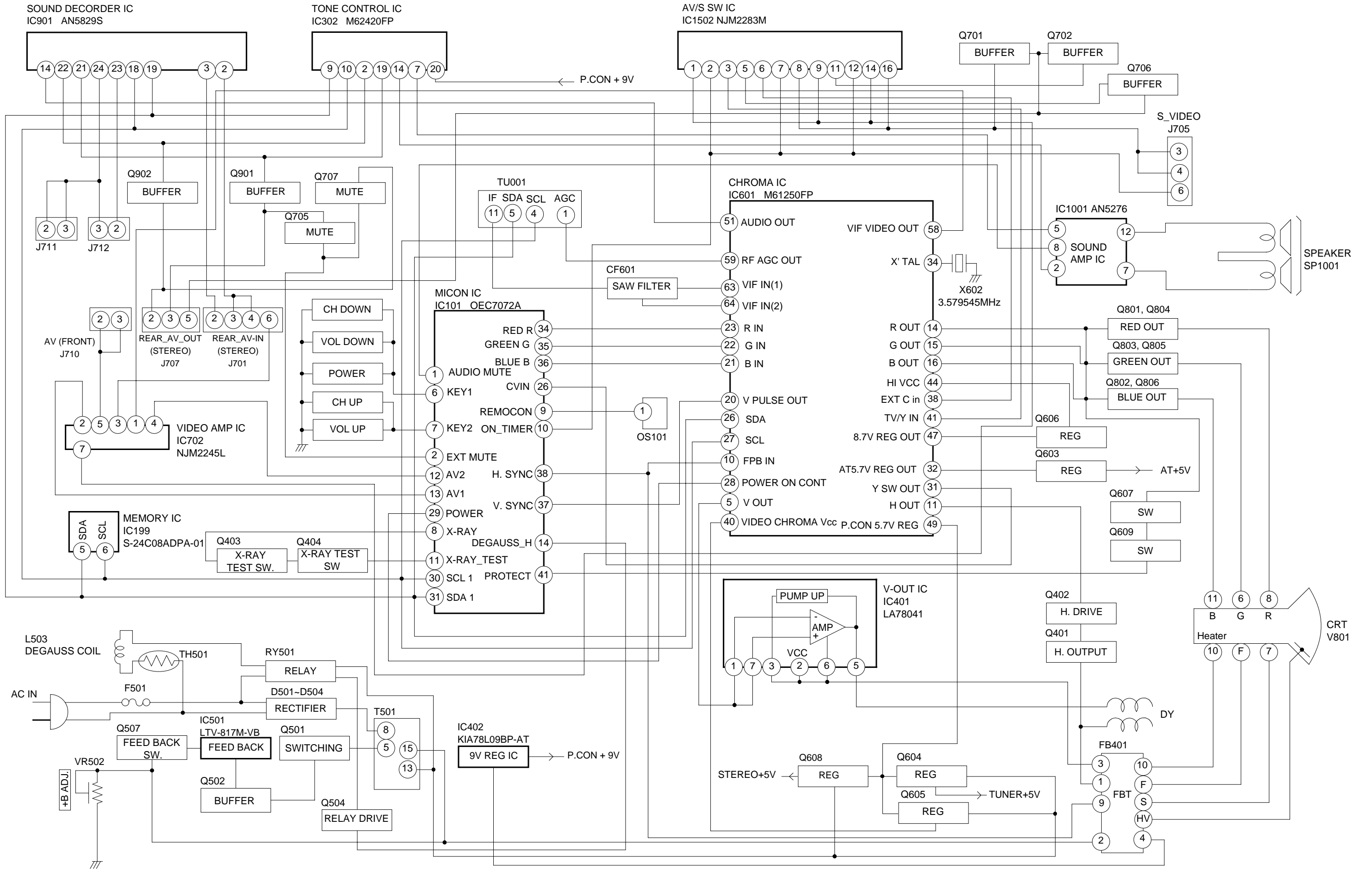
ADDRESS	MT2271S	MT2272
	DATA	DATA
01	60	30
02	89	8B
03	3A	0A
05	B3	B7
07	1B	3B
08	83	03
09	C0	00
0A	00	44
0B	03	00
0C	08	0C
0D	3D	36
0E	3D	36
0F	A5	0A

# MECHANICAL EXPLODED VIEW (MT2272)

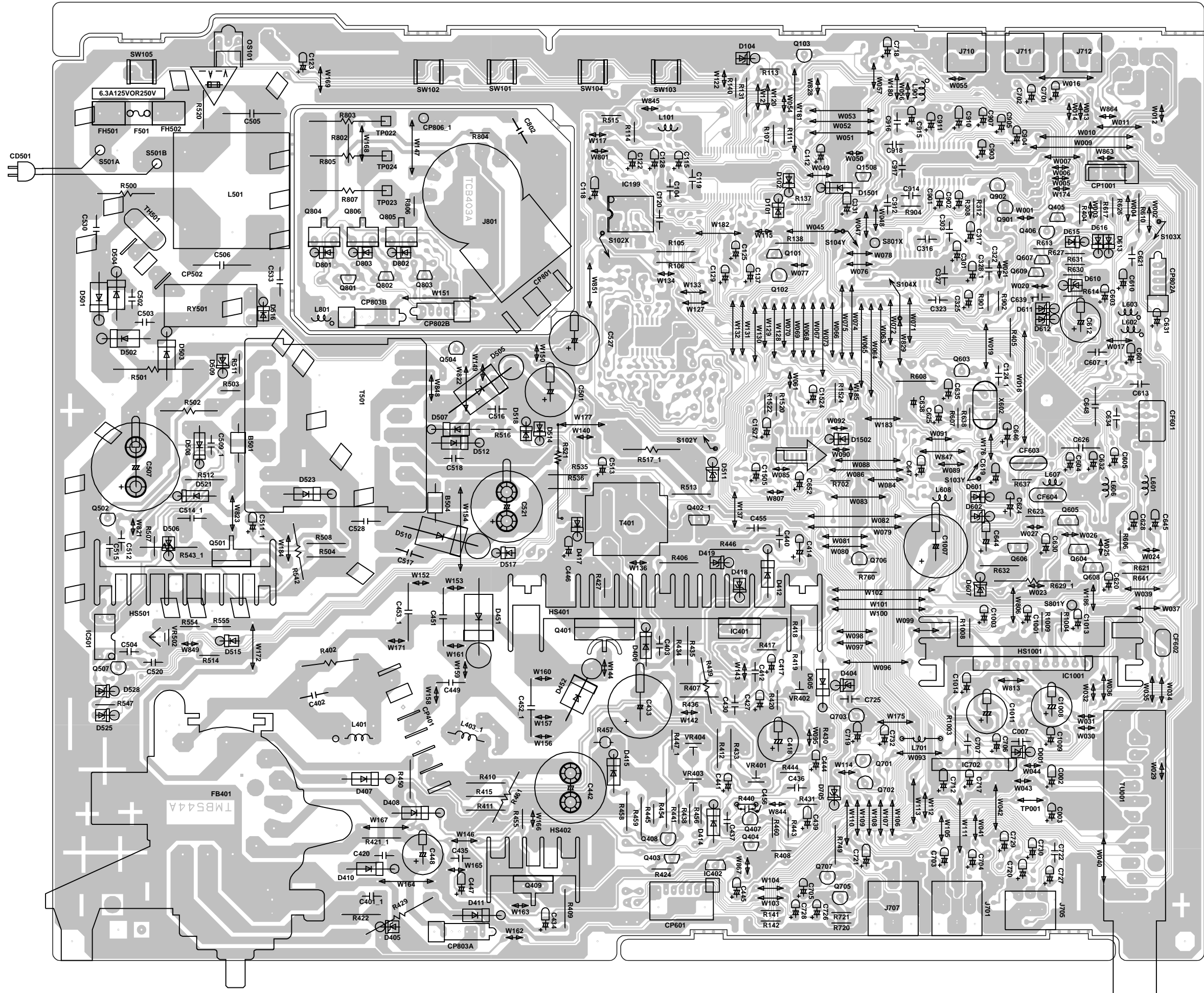


- ADD 115**  
**116**  
**117**  
**118**  
**119**  
**206**  
**207**

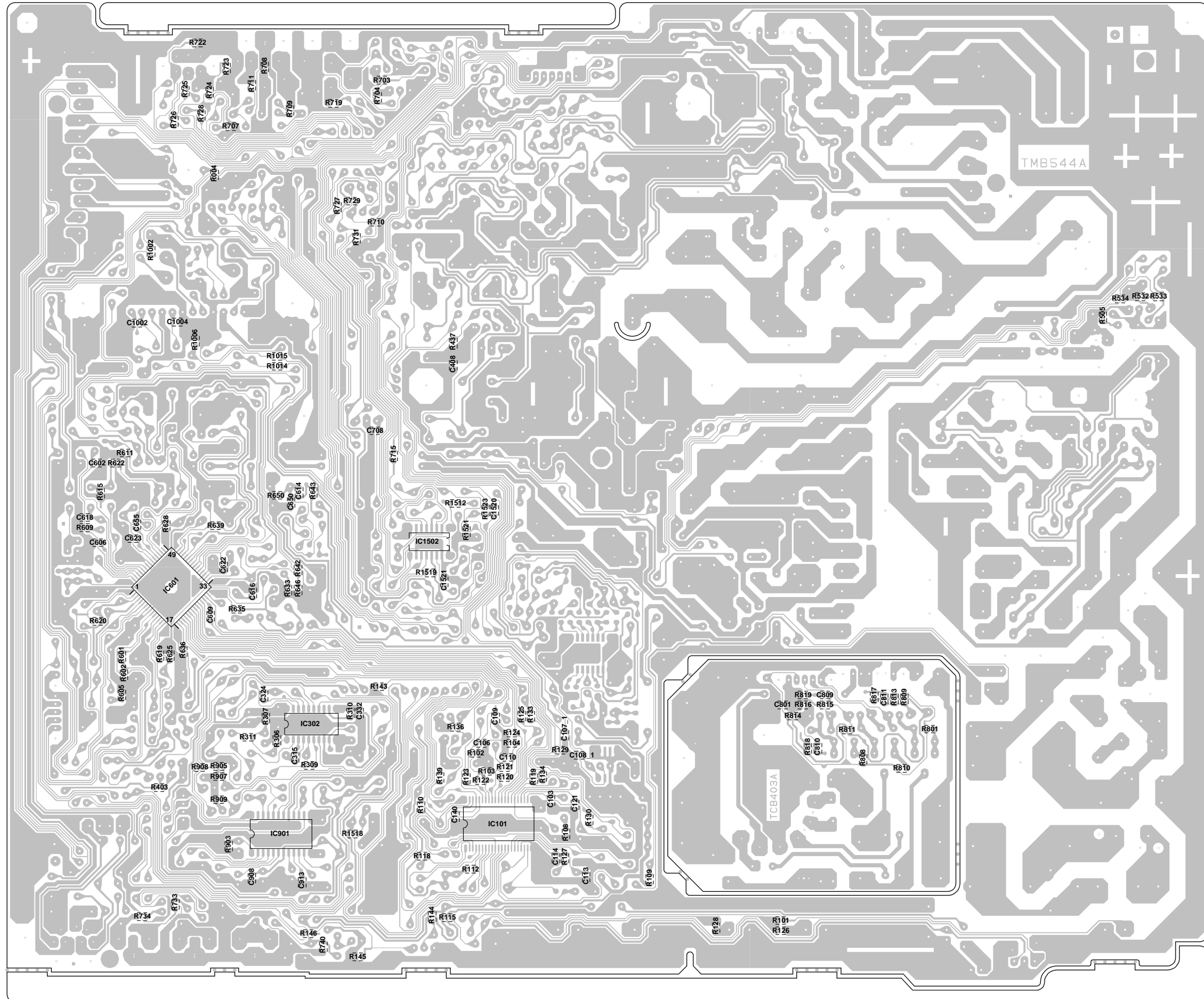
# BLOCK DIAGRAM (MT2272)



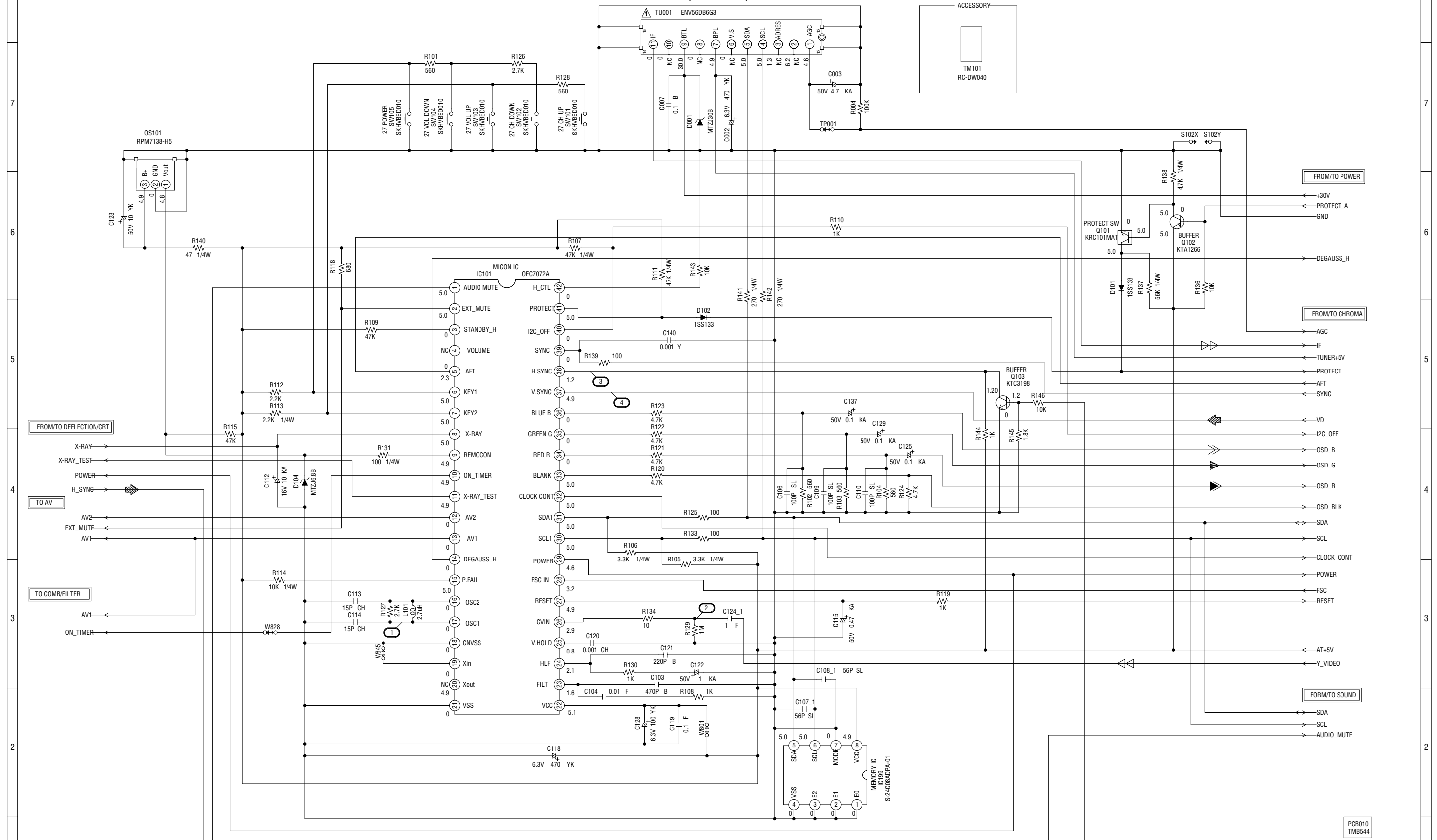
PRINTED CIRCUIT BOARDS  
MAIN/CRT (INSERTED PARTS)  
SOLDER SIDE  
(MT2272)



PRINTED CIRCUIT BOARDS  
MAIN/CRT (CHIP MOUNTED PARTS)  
SOLDER SIDE  
(MT2272)



# MICON/TUNER SCHEMATIC DIAGRAM (MAIN PCB) (MT2272)



CAUTION: DIGITAL TRANSISTOR

NOTE: THIS SCHEMATIC DIAGRAM IS THE LATEST AT THE TIME OF PRINTING AND SUBJECT TO CHANGE WITHOUT NOTICE.

NOTE: THE DC VOLTAGE AT EACH PART WAS MEASURED WITH THE DIGITAL TESTER WHEN THE COLOR BROADCAST WAS RECEIVED IN GOOD CONDITION AND PICTURE IS NORMAL.

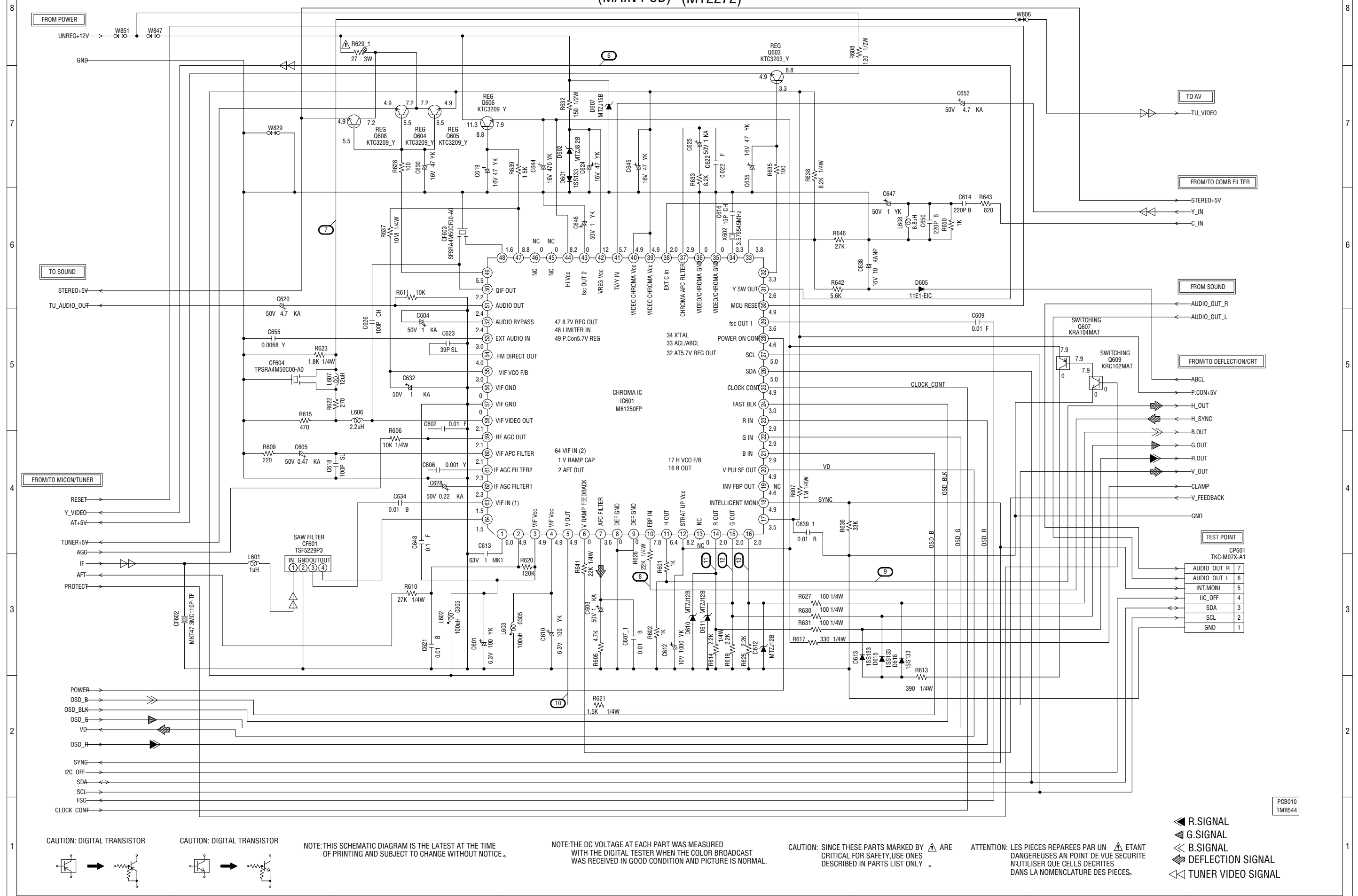
CAUTION: SINCE THESE PARTS MARKED WITH THE ARE CRITICAL FOR SAFETY, USE ONES DESCRIBED IN PARTS LIST ONLY.

ATTENTION: LES PIÈCES RÉPARÉES PAR UN ÉTANT DANGEREUSES AN POINT DE VUE SECURITE N'UTILISER QUE CELLS DECRITES DANS LA NOMENCLATURE DES PIÈCES.

- R.SIGNAL
- G.SIGNAL
- B.SIGNAL
- DEFLECTION SIGNAL
- TUNER VIDEO SIGNAL

PC8010  
TMB544

# CHROMA SCHEMATIC DIAGRAM (MAIN PCB) (MT2272)



CAUTION: DIGITAL TRANSISTOR

CAUTION: DIGITAL TRANSISTOR

NOTE: THIS SCHEMATIC DIAGRAM IS THE LATEST AT THE TIME OF PRINTING AND SUBJECT TO CHANGE WITHOUT NOTICE.

NOTE: THE DC VOLTAGE AT EACH PART WAS MEASURED WITH THE DIGITAL TESTER WHEN THE COLOR BROADCAST WAS RECEIVED IN GOOD CONDITION AND PICTURE IS NORMAL.

CAUTION: SINCE THESE PARTS MARKED BY ARE CRITICAL FOR SAFETY, USE ONES DESCRIBED IN PARTS LIST ONLY.

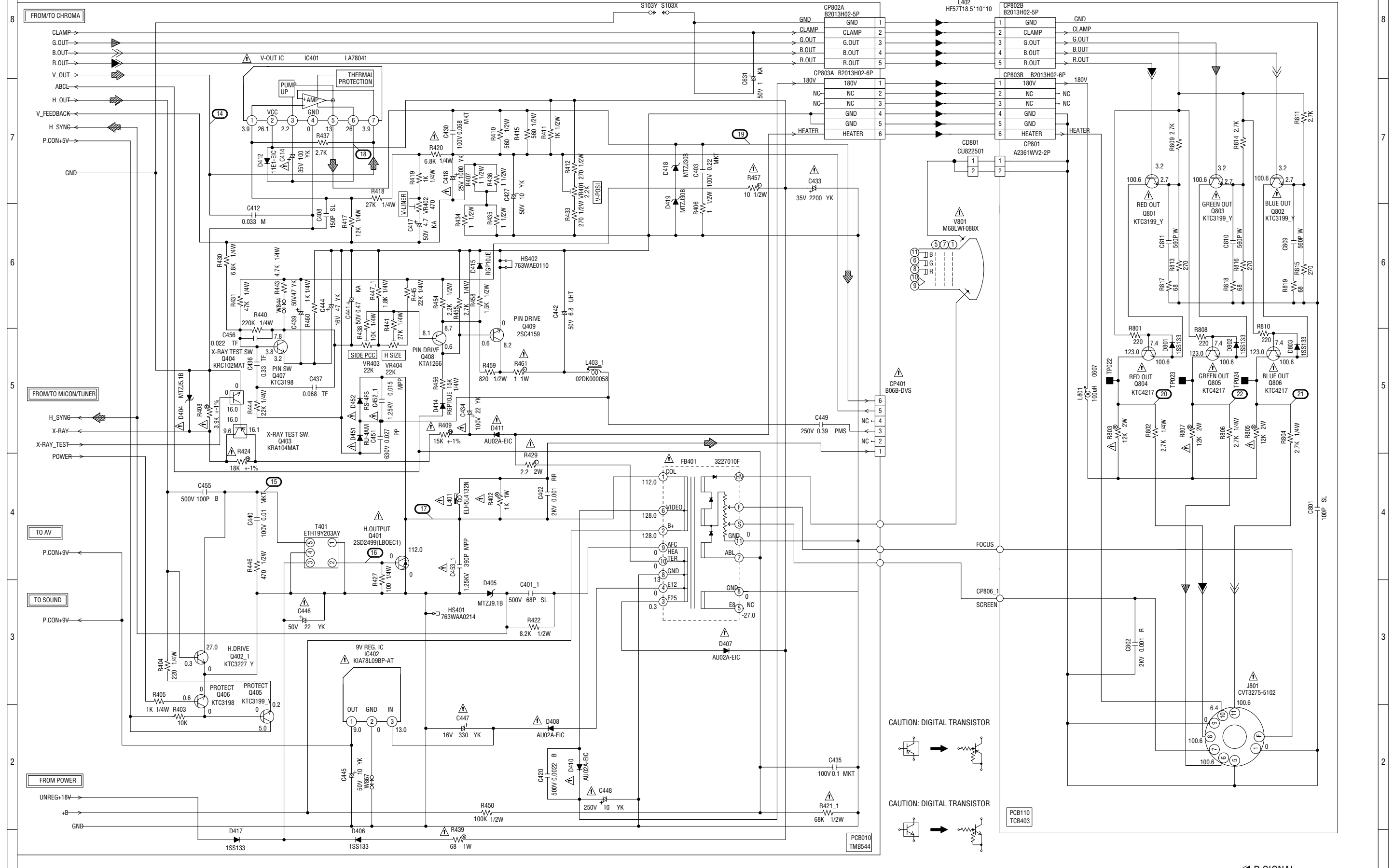
ATTENTION: LES PIECES REPARÉES PAR UN ÉTANT DANGEREUSES AU POINT DE VUE SÉCURITÉ N'UTILISER QUE CELLES DÉCRITES DANS LA NOMENCLATURE DES PIÈCES.

- R.SIGNAL
- G.SIGNAL
- B.SIGNAL
- DEFLECTION SIGNAL
- TUNER VIDEO SIGNAL

PCB010  
TMB544



# DEFLECTION/CRT SCHEMATIC DIAGRAM (MAIN PCB) (MT2272)



NOTE: THE DC VOLTAGE AT EACH PART WAS MEASURED WITH THE DIGITAL TESTER WHEN THE COLOR BROADCAST WAS RECEIVED IN GOOD CONDITION AND PICTURE IS NORMAL.

NOTE: THIS SCHEMATIC DIAGRAM IS THE LATEST AT THE TIME OF PRINTING AND SUBJECT TO CHANGE WITHOUT NOTICE.

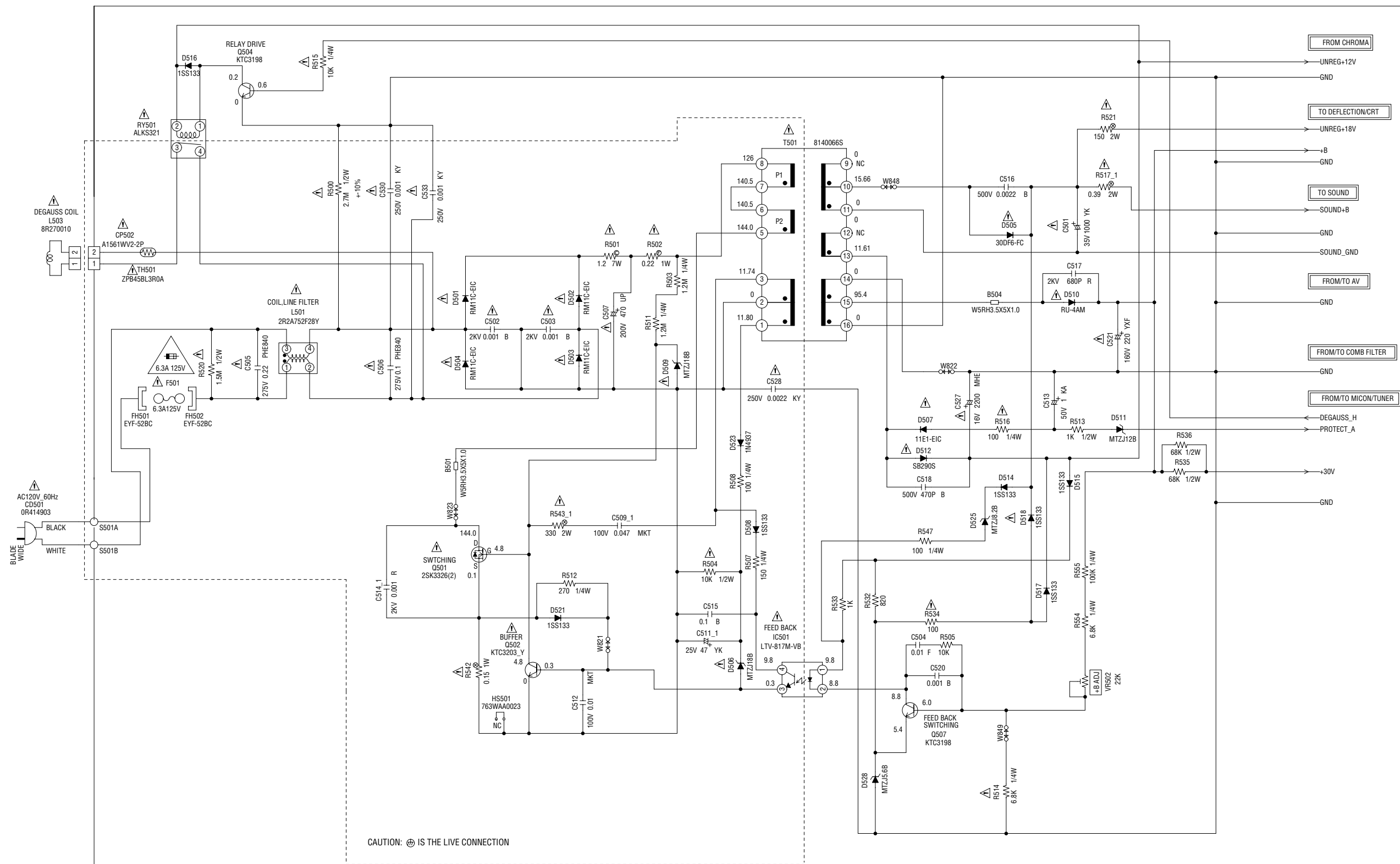
NOTE: THE RESISTOR MARKED F IS FUSE RESISTOR. THE ALUMI ELECTROLYTIC CAPACITOR MARKED NP IS NON POLAR ONE.

CAUTION: SINCE THESE PARTS MARKED BY ARE CRITICAL FOR SAFETY, USE ONES DESCRIBED IN PARTS LIST ONLY.

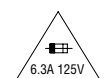
ATTENTION: LES PIECES REPARÉES PAR UN ETANT DANGEREUSES AN POINT DE VUE SECURITE N'UTILISER QUE CELLS DECRITES DANS LA NOMENCLATURE DES PIECES.

- R.SIGNAL
- G.SIGNAL
- B.SIGNAL
- DEFLECTION SIGNAL

# POWER SCHEMATIC DIAGRAM (MAIN PCB) (MT2272)



CAUTION: ⚡ IS THE LIVE CONNECTION



CAUTION: FOR CONTINUED PROTECTION AGAINST FIRE HAZARD,  
REPLACE ONLY WITH THE SAME TYPE FUSE  
6.3A 125V(F501).  
ATTENTION: POUR UNE PROTECTION CONTINUE LES RISQUES D'INCENDIE  
N'UTILISER QUE DES FUSIBLES DE MEME TYPE  
6.3A 125V(F501).

NOTE: THIS SCHEMATIC DIAGRAM IS THE LATEST AT THE TIME  
OF PRINTING AND SUBJECT TO CHANGE WITHOUT NOTICE.

NOTE: THE DC VOLTAGE AT EACH PART WAS MEASURED  
WITH THE DIGITAL TESTER WHEN THE COLOR BROADCAST  
WAS RECEIVED IN GOOD CONDITION AND PICTURE IS NORMAL.

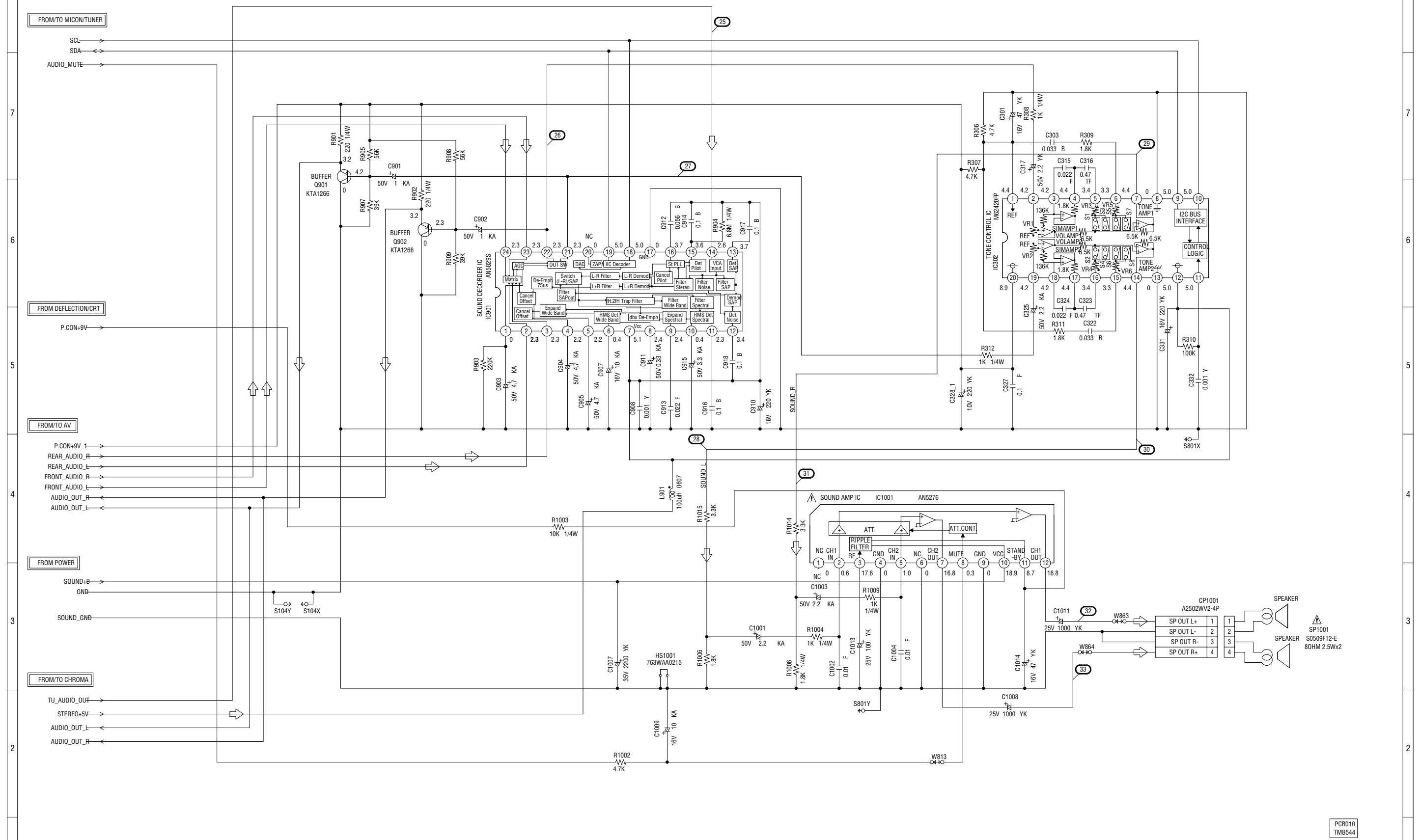
ATTENTION: LES PIECES REPARÉES PAR UN ⚡ ETANT  
DANGEREUSES AN POINT DE VUE SECURITE  
N'UTILISER QUE CELLES DECRITES  
DANS LA NOMENCLATURE DES PIECES.

CAUTION: SINCE THESE PARTS MARKED BY ⚡ ARE  
CRITICAL FOR SAFETY, USE ONES  
DESCRIBED IN PARTS LIST ONLY.

PC8010  
TMB544

# SOUND SCHEMATIC DIAGRAM

(MAIN PCB) (MT2272)



NOTE: THIS SCHEMATIC DIAGRAM IS THE LATEST AT THE TIME OF PRINTING AND SUBJECT TO CHANGE WITHOUT NOTICE.

NOTE: THE DC VOLTAGE AT EACH PART WAS MEASURED WITH THE DIGITAL TESTER WHEN THE COLOR BROADCAST WAS RECEIVED IN GOOD CONDITION AND PICTURE IS NORMAL.

CAUTION: SINCE THESE PARTS MARKED BY ARE CRITICAL FOR SAFETY, USE ONES DESCRIBED IN PARTS LIST ONLY.

ATTENTION: LES PIECES REPARÉES PAR UN ÉTANT DANGEREUSES AN POINT DE VUE SECURITE N'UTILISER QUE CELLS DÉCRITES DANS LA NOMENCLATURE DES PIECES.

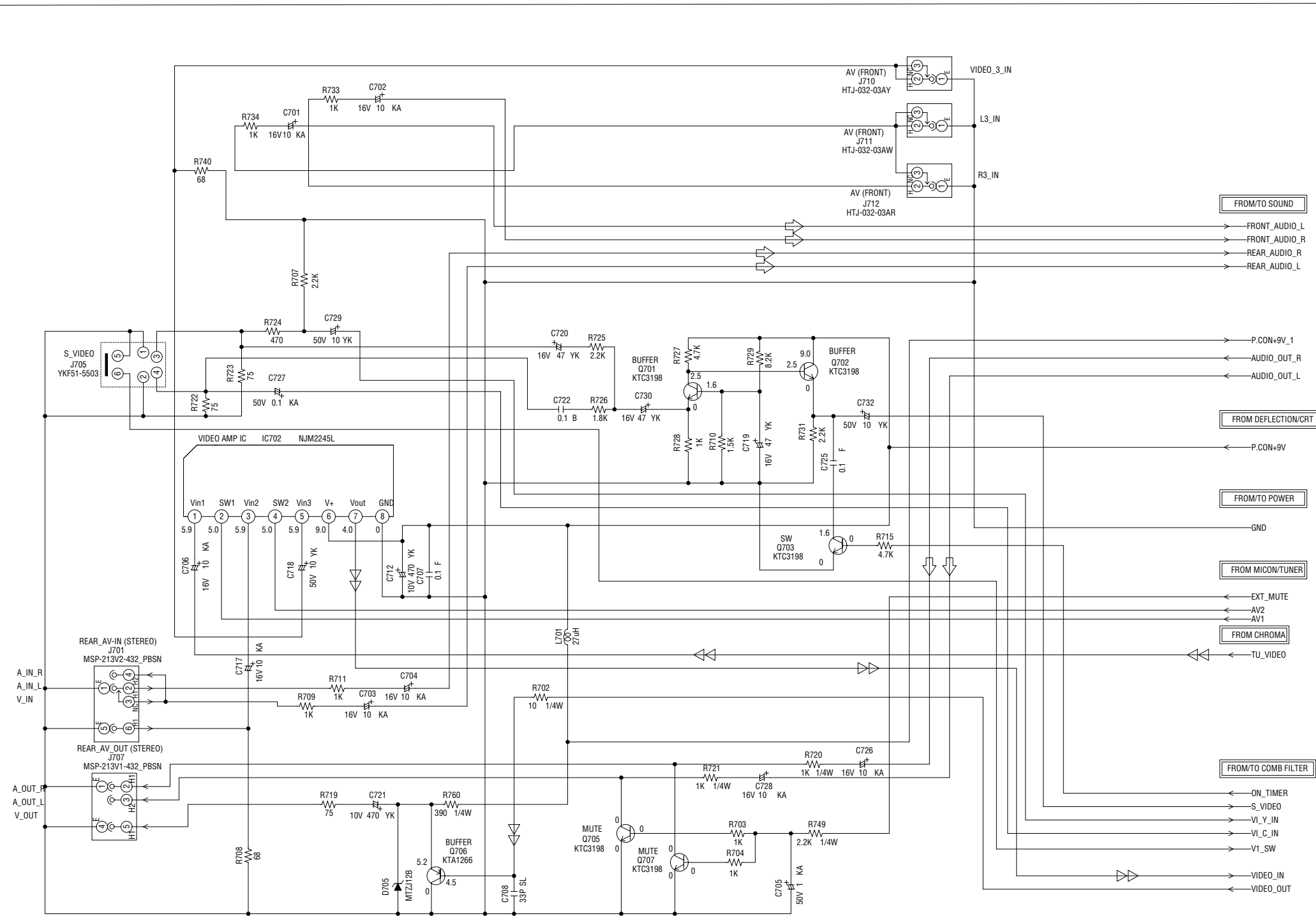
AUDIO SIGNAL

PCB010  
TMB544

# AV SCHEMATIC DIAGRAM

(MAIN PCB)

(MT2272)



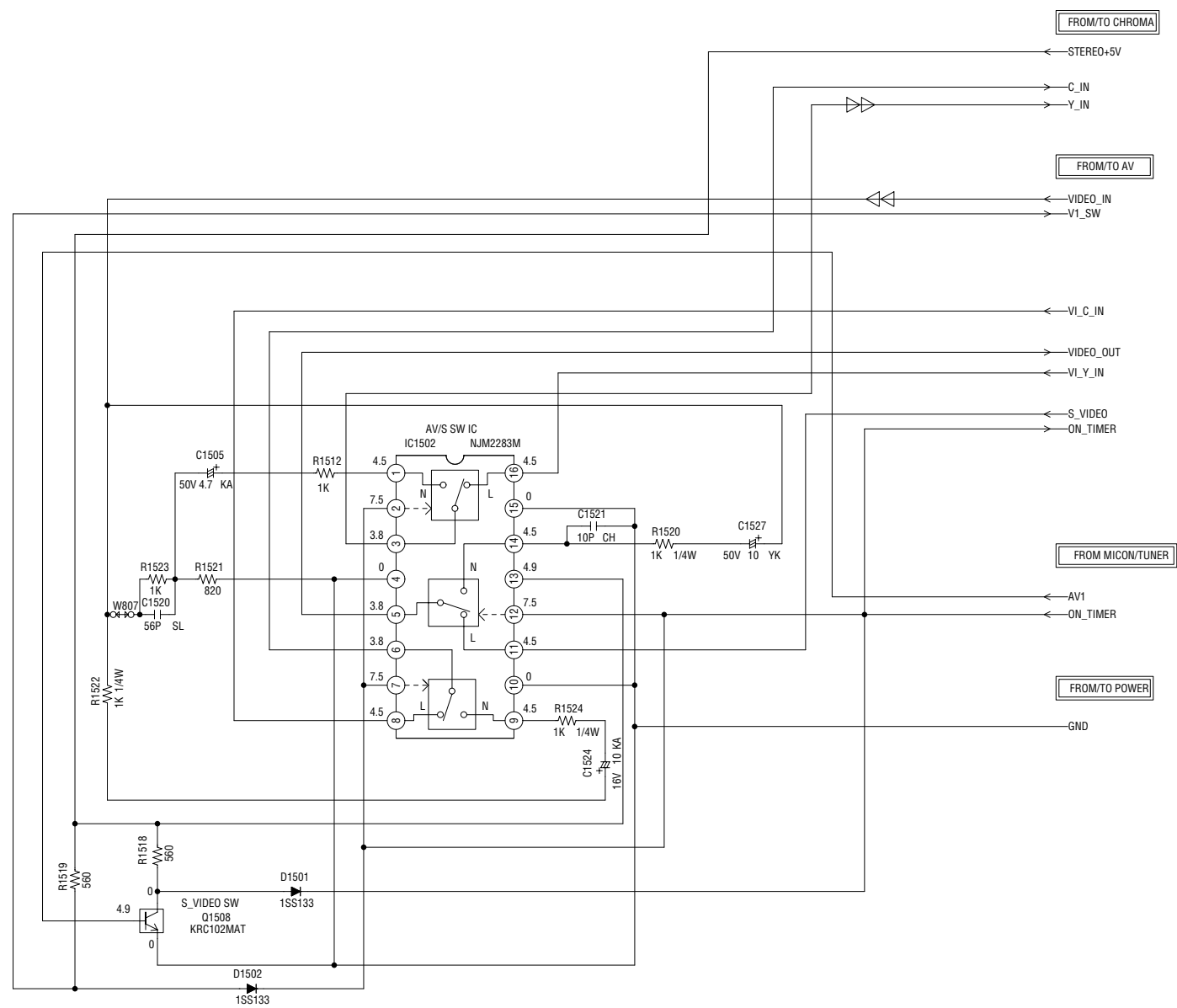
NOTE: THE DC VOLTAGE AT EACH PART WAS MEASURED WITH THE DIGITAL TESTER WHEN THE COLOR BROADCAST WAS RECEIVED IN GOOD CONDITION AND PICTURE IS NORMAL.

NOTE: THIS SCHEMATIC DIAGRAM IS THE LATEST AT THE TIME OF PRINTING AND SUBJECT TO CHANGE WITHOUT NOTICE.

↔ AUDIO SIGNAL  
 - - - - - TUNER VIDEO SIGNAL

PCB010  
 TMB544

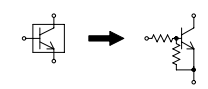
# COMB/FILTER SCHEMATIC DIAGRAM (MAIN PCB) (MT2272)



NOTE: THE DC VOLTAGE AT EACH PART WAS MEASURED WITH THE DIGITAL TESTER WHEN THE COLOR BROADCAST WAS RECEIVED IN GOOD CONDITION AND PICTURE IS NORMAL.

NOTE: THIS SCHEMATIC DIAGRAM IS THE LATEST AT THE TIME OF PRINTING AND SUBJECT TO CHANGE WITHOUT NOTICE.

CAUTION: DIGITAL TRANSISTOR



◁◁ TUNER VIDEO SIGNAL

PCB010  
TM8544

SPEC.NO.	M3L5-39M
O/R NO.	C293602